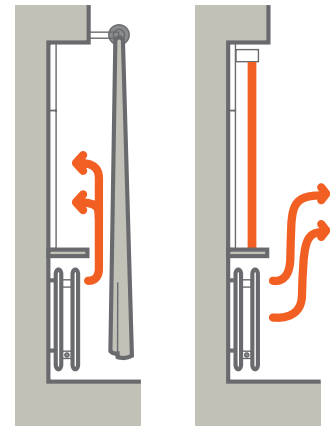


BlocOut XL

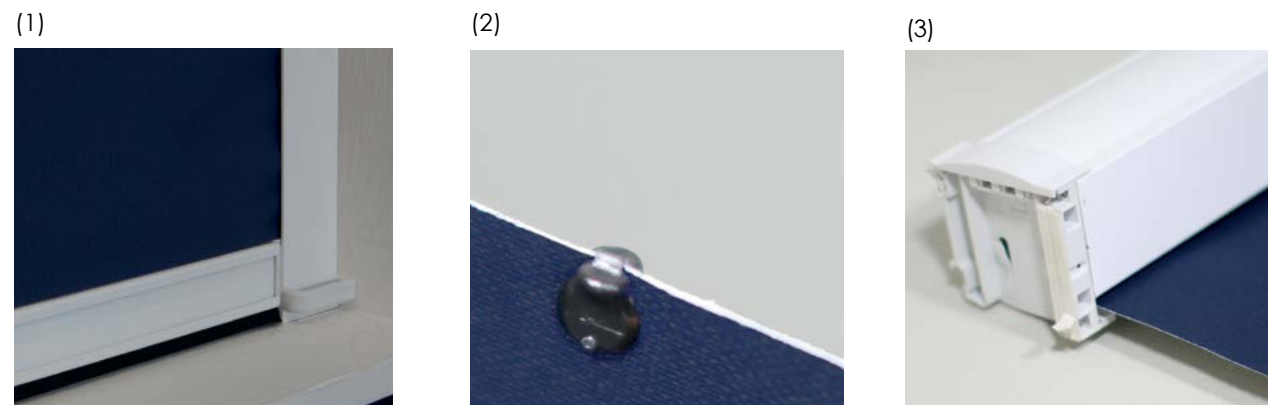


BlocOut XL is capable of blocking light and draughts thanks to the exceptional quality of its individual components. Each part, from the brush seals to the cassette holder and aluminium frames are designed to last. BlocOut blinds come in a wide range of colours and patterns to suit a variety of environments.



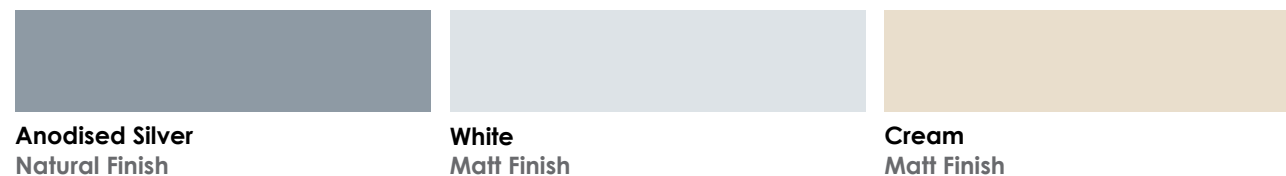
Window with Curtains Window with BlocOut

Curtains trap hot air and prevent it circulating a room. This can lead to heat loss. BlocOut creates an energy efficient barrier that minimizes heat loss through the window and leaves radiators free to heat a room faster.

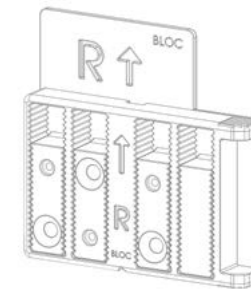


Bloc Blinds incorporate a number of specially developed features that make our blinds superior to others on the market. (1) Rubber seals create a barrier between the blind and the window sill, blocking out light and reducing heat loss. (2) Clips are attached to the fabric to ensure the blind stays securely within the runners at all times. (3) The fabric is completely enclosed, reducing fading and significantly extending the life of the fabric.

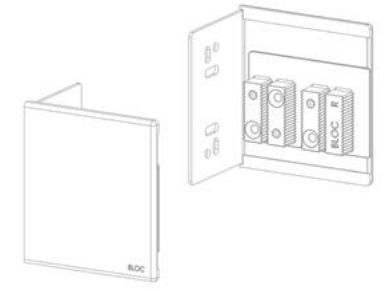
Frame Colour Options



Fixing Components



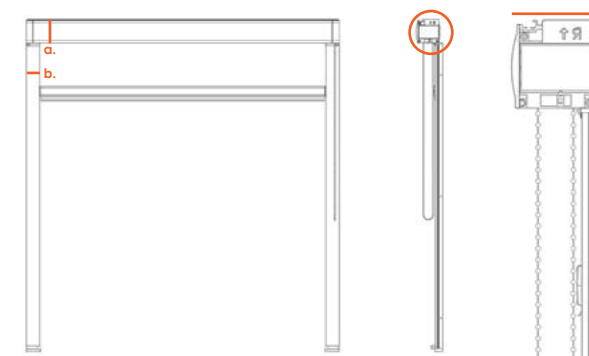
Guide Dog Inside the Recess Fix
Drill Free Installation



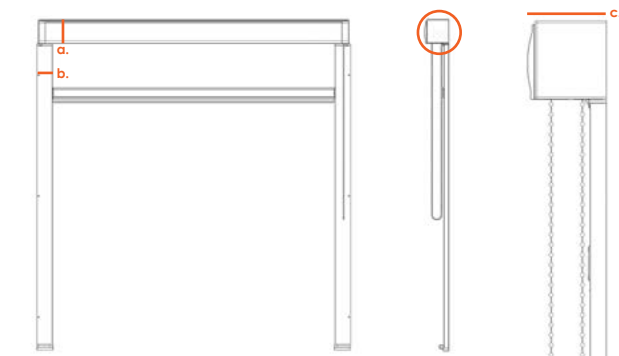
Guide Dog Outside the Recess Fix | Wall Fix

Product Dimensions

Inside the Recess Fix



Outside the Recess Fix



a. Cassette Height	78mm
b. Frame Width	45mm
c. Cassette Depth	86mm

a. Cassette Height	78mm
b. Frame Width	51mm
c. Cassette Depth	78mm

bloc blinds

A World of Difference

BlocOut XL



Award Winning BlocOut Blind • Unmatched Level of Darkness • Made to Measure • Proven Energy Saving of up to 43%

Product Specification

Size Range		Roller Tube	Aluminium
Min Width	400mm	Cassette Colour	Anodised Silver / White / Cream
Min Drop	300mm	Bottom Detail	Handle Colour to Match Cassette / Fabric
Max Width	2400mm	Control	Chain / Motorised
Max Drop	2400mm	Control Side	Right Hand Side / Left Hand Side
		Chain Options	Silver Metal
		Tube Size	32mm / 38mm
		Fabric Position	Standard Roll
		Safety Device	Safety Clip / Breakaway Connector
		Interchangeable Pelmet	Fabric / Alternative Finish

Operation, Care and Maintenance

Operation

Operation of the blind system is via either a chain or a motorised battery. Fully compliant with all child safety standards, the chain is secured to the wall, preventing it from coming loose and becoming a choking hazard.

Care Instructions

We are all very proud of our stunning BlocOut blind range. To keep them looking their best for years to come, always ensure that your BlocOut blinds have been securely fitted, use a synthetic or feather duster and refrain from using soap and water. Should any part of the blind fail contact our dedicated Customer Service team who will be happy to assist you.

Maintenance

All our BlocOut blind components are manufactured using aluminium and glass reinforced nylon. They do not present any corrosion problems in normal environments. The system has been designed for smooth operation, together with rigidity to prolong the window blinds working life.

Motorised System

The BlocOut XL is compatible with a motorised system for added convenience and enhanced child safety. The battery is contained within the barrel of the blind and is charged at blind's position via a charger plug. The motorised system is easy to install and requires no hard wiring. The blind is supplied with a single or multi-channel remote capable of operating up to 20 blinds.

Child Safety

It only takes a moment for a child to find themselves in danger when loops or cords are involved. With this blind, we have included a wall secure system that keeps the cord from coming loose and becoming a danger. Alternatively for enhanced safety the motorised and spring operated systems completely remove chains from the blind, resulting in a Safe by Design system.